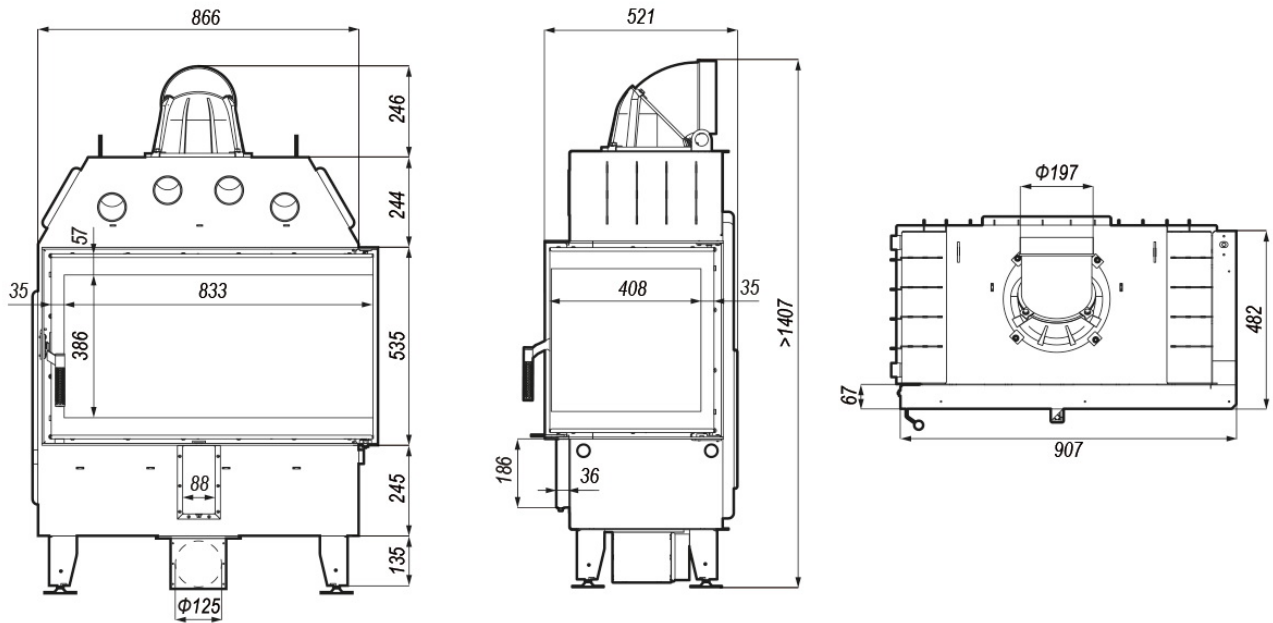


## DEFRO HOME INTRA ME BL/BP



### TECHNOLOGY

#### FACILITIES FOR THE INSTALLER

##### ROTATORY CAST IRON FLUE

Possible to rotate in two planes by 360 degrees

##### WIDE DOOR RIM

Yields the possibility of fitting a fireplace within the door line

##### DOOR MOULDING

Door constructed of special strong steel moulding

##### MOUNTING FRAME

Casing finishing option

##### CENTRAL OUTSIDE AIR INTAKE AND REGULATION

The devices have been equipped with a precise combustion air adjustment slider. Fireplace inserts also have a connection socket for automatic throttles in standard which can be also used to connect outside air.

##### CERAMITON

Type of ceramics effectively influences the combustion process and accumulates heat

##### STUB TUBE

Special construction giving the possibility to attach an air duct to a combustion chamber. It yields the possibility of changing the attachment direction to side position.

##### ELASTIC ADJUSTMENT

Height may be adjusted to 100 mm

##### GRATE

Removable, steel component.

#### FACILITIES FOR THE CUSTOMER

##### WATER TUBES

System of tubes improving capacity of the fireplace

##### RADIATORS

Densely distributed components thanks to which fireplace transfers more heat to the surroundings

##### BLACK LINE

Highest class glass ceramic with a black rim

##### PAINT

Two component protective layer

##### CERAMITON

Type of ceramics effectively influences the combustion process and accumulates heat

##### COOL&TOUCH HANDLE

Outstanding quality material made of stainless steel and special perforated handle construction result in the natural cooling of the handle

##### FIREPLACE GLASS

High quality heat resistant glass with resistance up to 800°C

##### CLEAN GLASS SYSTEM

An active glass cleaning system is a unique way for fireplace intake air to keep the glass clean

##### ASH PAN

A tank under the combustion chamber to which ash falls and is stored

##### MULTIFLOW

Copyright solution which conveys air to combustion providing perfect fire controllability

